



ELECTRIC FIREPLACES

**INSTALLATION AND  
OPERATING INSTRUCTIONS FOR  
BUILT-IN UNITS**

**BLT-IN-38, BLT-IN-58, BLT-IN-36 & BLT-IN-62**



**INSTALLER: LEAVE THIS MANUAL WITH THE APPLIANCE.  
CONSUMER: RETAIN THIS MANUAL FOR FUTURE REFERENCE.**





# TABLE OF CONTENTS

Important Instructions	Page 3
BLT-IN-38 Specifications	Page 4
BLT-IN-58 Specifications	Page 5
BLT-IN-36 Specifications	Page 6
BLT-IN-62 Specifications	Page 7
Installation Overview	Page 8
Built-In Installation	Page 10
Wall Mount Installation	Page 12
Fire Glass Media Installation	Page 13
Installing the Front	Page 14
Operating the Unit	Page 15
Fireplace Maintenance	Page 17
Warranty	Page 18
Dealer Contact Information	Back Page





# IMPORTANT INSTRUCTIONS

## **WARNING!**

**Do not operate appliance before reading and understanding operating instructions. Failure to operate appliance according to operating instructions could cause fire or injury.**

- Do not install damaged, incomplete or substitute components.
- To disconnect fireplace, turn controls to off, then remove plug from socket.
- Do not use outdoors.
- Do not run cord under carpeting. Do not cover cord with throw rugs, runner, or the like. Arrange the cord away from traffic area and where it will not be tripped over
- Do not modify this fireplace. Use it only as described in this manual. Any other use not recommended by the manufacturer may cause fire, electric shock or injury to persons.
- Avoid the use of an extension cord. Extension cords may overheat and cause a risk of fire.
- Do not burn wood or other materials in this fireplace.
- Do not strike the fireplace glass.
- Always use a certified electrician should new circuits or sockets be required.
- Always use properly grounded, fused and polarized sockets.
- Always use ground fault protection where required by electrical code.
- Always disconnect power before performing any cleaning, maintenance or relocating of the fireplace.
- When transporting or storing the fireplace and cord, keep in a dry place, free from excessive vibration and store so as to avoid damage.
- This appliance is not intended for use by persons (including children) with reduced physical, sensory or mental capabilities, or lack of experience and knowledge, unless they have been given supervision or instruction concerning use of the appliance by a person responsible for their safety.
- Never locate fireplace where it may fall into a bathtub or other water container.
- Children should be supervised to ensure they do not play with the appliance.
- Keep combustible materials such as furniture, pillows, bedding, papers, clothes and curtains at least three (3) feet (.9 m) from the front of the unit.
- Do not block air intake or exhaust in any manner. Do not use on soft surfaces, like a bed where openings may become blocked.
- Amantii reserves the right to update and change the specifications and instructions in this manual as needed. If in doubt, please visit our website at [www.amantii.com](http://www.amantii.com) for the most recent version of the manual.

**SAVE THESE INSTRUCTIONS**

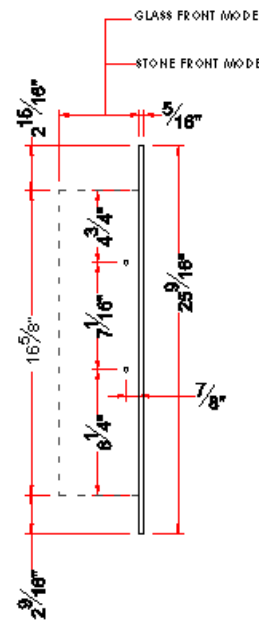
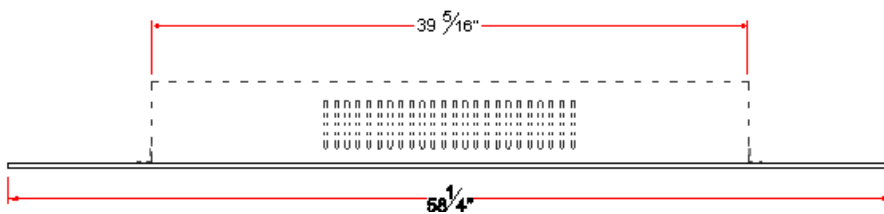
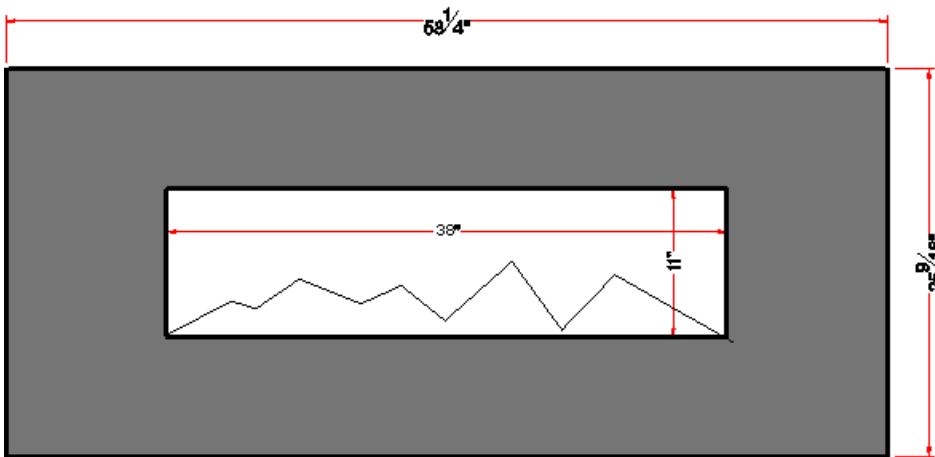


# BLT-IN-58 SPECIFICATIONS

Model Number	BLT-IN-58
Description	Built-In Appliance
Voltage	12
Watts	10.5
Amps	.2
Appliance Width (Glass & Stone)	39 5/16" or 99.8 cm
Appliance Height (Glass & Stone)	16 5/8" or 42.2 cm
Appliance Depth <b>Glass Models</b>	6-5/8" or 16.8 cm
Appliance Depth <b>Stone Models</b>	7-5/16" or 18.5 cm
Gross Weight <b>Glass Models</b>	108 lbs or 46kg
Gross Weight <b>Stone Models</b>	128 lbs or 58.5 kg
Plug Location	Right side
Cord Length	76" or 193 cm

This appliance has been tested in accordance with the ETL Intertek Standards for fixed and location-dedicated electric room appliances in the United States and Canada. If you need assistance during installation, please contact your local dealer.

**NOTE: This appliance must be electrically wired and grounded in accordance with local codes. In the absence of local codes, us the current CSA C22.1 Canadian Electrical Code in Canada or the ANSI/NFPA 70 National Electrical Code in the United States.**

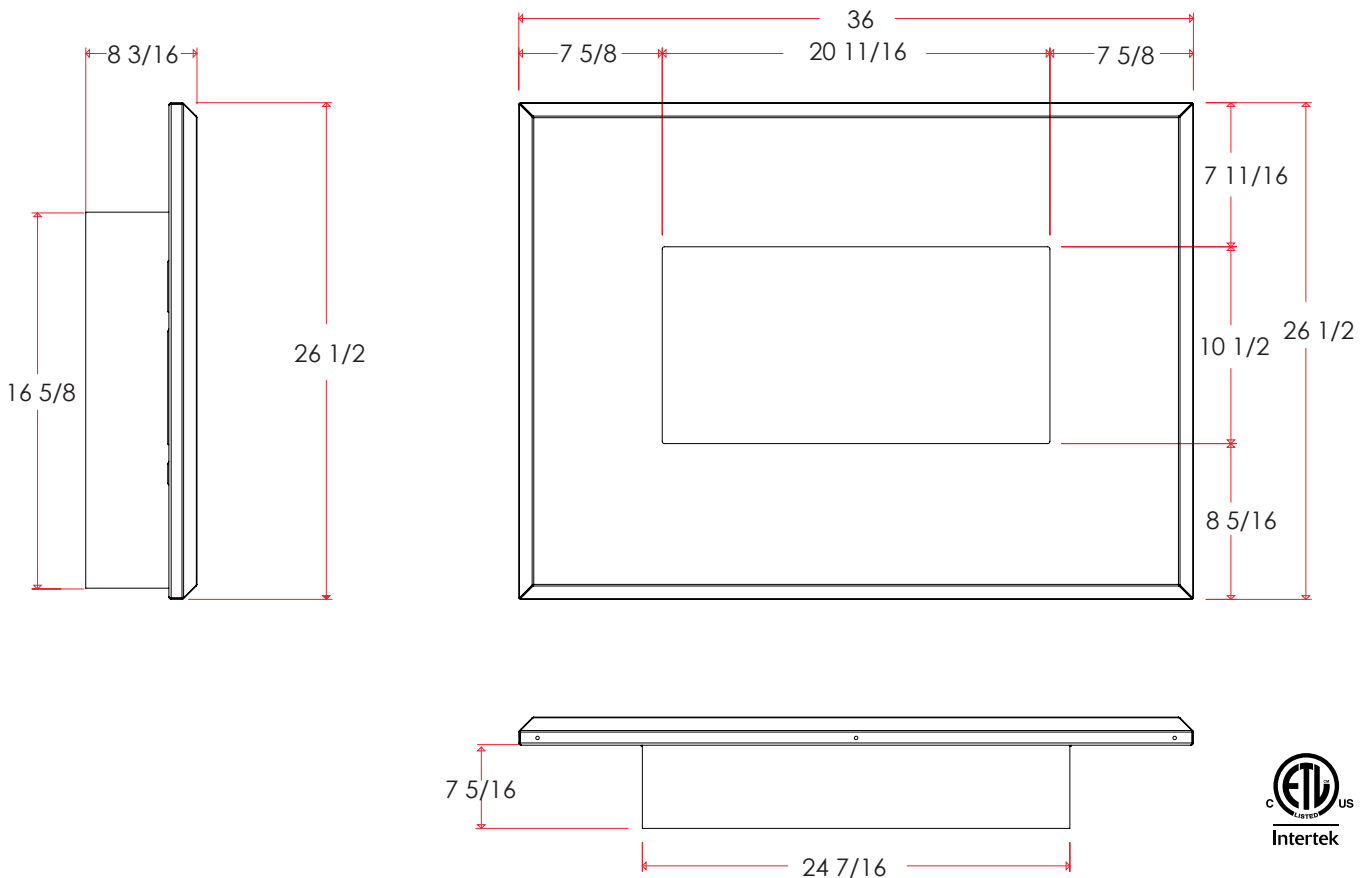


# BLT-IN-36 SPECIFICATIONS

Model Number	BLT-IN-36
Description	Built-In Appliance
Voltage	12
Watts	10.5
Amps	.2
Appliance Width	24-7/16" or 62 cm
Appliance Height	16 5/8" or 42.2 cm
Appliance Depth	7-5/16" or 18.5 cm
Gross Weight	58 lbs or 26.5 kg
Plug Location	Right side
Cord Length	76" or 193 cm

This appliance has been tested in accordance with the ETL Intertek Standards for fixed and location-dedicated electric room appliances in the United States and Canada. If you need assistance during installation, please contact your local dealer.

**NOTE: This appliance must be electrically wired and grounded in accordance with local codes. In the absence of local codes, use the current CSA C22.1 Canadian Electrical Code in Canada or the ANSI/NFPA 70 National Electrical Code in the United States.**



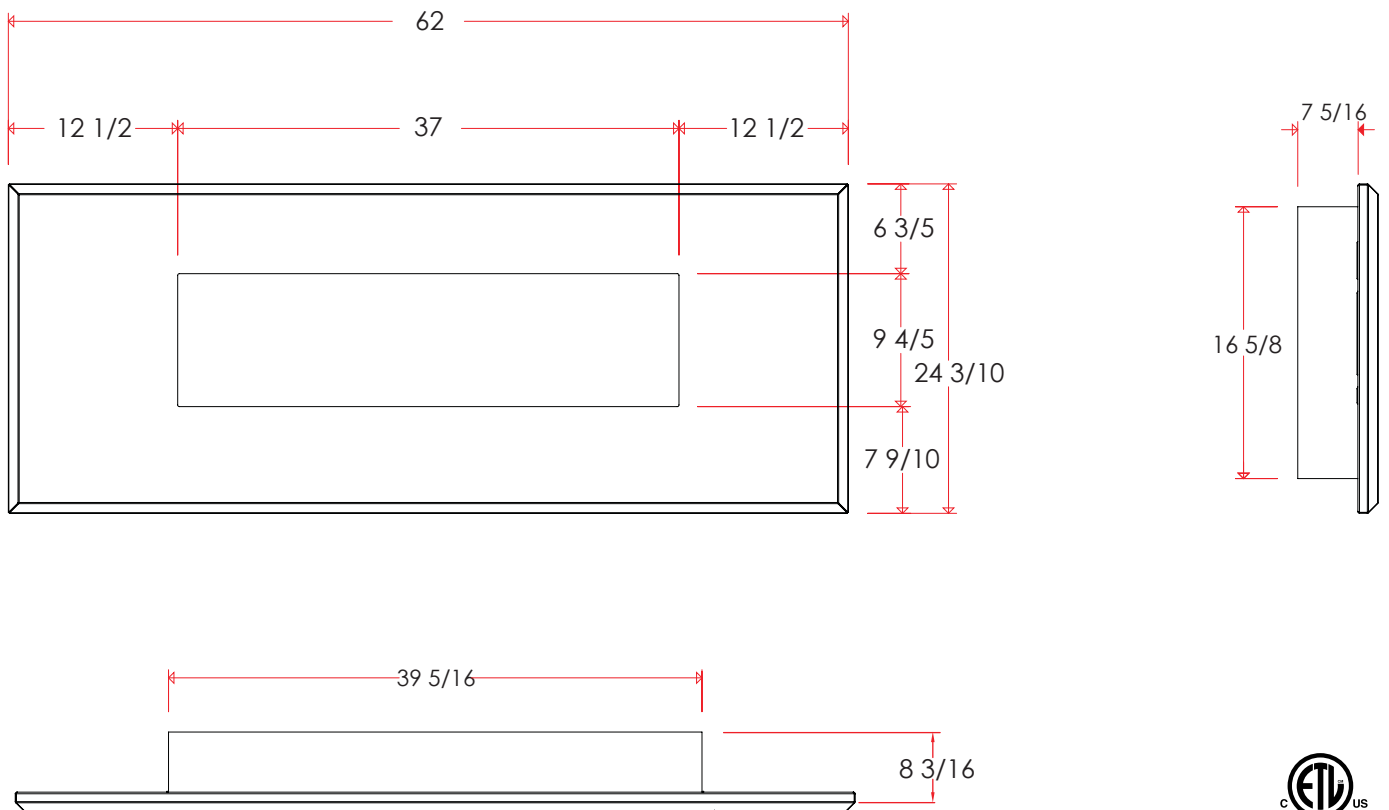


# BLT-IN-62 SPECIFICATIONS

Model Number	BLT-IN-62
Description	Built-In Appliance
Voltage	12
Watts	10.5
Amps	.2
Appliance Width	39 5/16" or 99.8 cm
Appliance Height	16 5/8" or 42.2 cm
Appliance Depth	7-5/16" or 18.5 cm
Gross Weight	75 lbs or 34.2 kg
Plug Location	Right side
Cord Length	76" or 193 cm

This appliance has been tested in accordance with the ETL Intertek Standards for fixed and location-dedicated electric room appliances in the United States and Canada. If you need assistance during installation, please contact your local dealer.

**NOTE: This appliance must be electrically wired and grounded in accordance with local codes. In the absence of local codes, use the current CSA C22.1 Canadian Electrical Code in Canada or the ANSI/NFPA 70 National Electrical Code in the United States.**



# INSTALLATION OVERVIEW



## SITE SELECTION

Review and consider all of the following conditions for installation:

- Dimensions of the unit
- Unit requires a minimum of two (2) wall studs in order to ensure a secure installation.

Two possible installation methods:

- Built-In (page 10)
- Wall Mount (Page 12)



### **WARNING:**

Ensure the power cord is not installed so that it is pinched or against a sharp edge and ensure that the power cord is stored or secured to avoid tripping or snagging to reduce the risk of fire, electric shock or injury to persons.

Construction and electrical outlet wiring must comply with local building codes and other applicable regulations to reduce the risk of fire, electric shock and injury to persons.



### **NOTE: BEFORE YOU INSTALL**

A 15 Amp, 120 Volt circuit is required. A dedicated circuit is preferred but not essential in all cases.

1. Select a location that is not susceptible to moisture, dust and is away from high traffic locations and things that many catch fire or block openings such as drapes, pillows, furniture etc.
2. If possible, select a location near an existing electrical outlet for ease of electrical hook up.
3. Remove fireplace, front, fireglass media, and all hardware from box and remove all packaging related materials prior to installation. (Figures 1,2,3,4)
4. Plug in the unit to ensure the LED lights are working correctly. (See page 15)
5. Store the fireplace in a safe, dry and dust free location until you are ready to install the fireplace.

### **ADDITIONAL HARDWARE MAY BE REQUIRED:**

- Wall Mount Method:  
Approx. Twelve (12) 6" Wood screws.
- Built-In and Wall Mount Methods:  
Plastic wall anchors where studs are not available.

# INSTALLATION OVERVIEW



Locate fire glass media and set aside for later installation. (See Page 13)

Figure 1



Remove sides of box

Figure 2



Remove packaging surrounding the unit and front.

Figure 3



Discard packaging materials and store fireplace in a safe, dry location.

Figure 4



# FIREPLACE INSTALLATION - BUILT-IN



## BUILT-IN

### CAUTION:

Two people may be needed to perform this installation.

1. Prepare a wall with a framed opening to accommodate the size of your unit. (Figure 5)



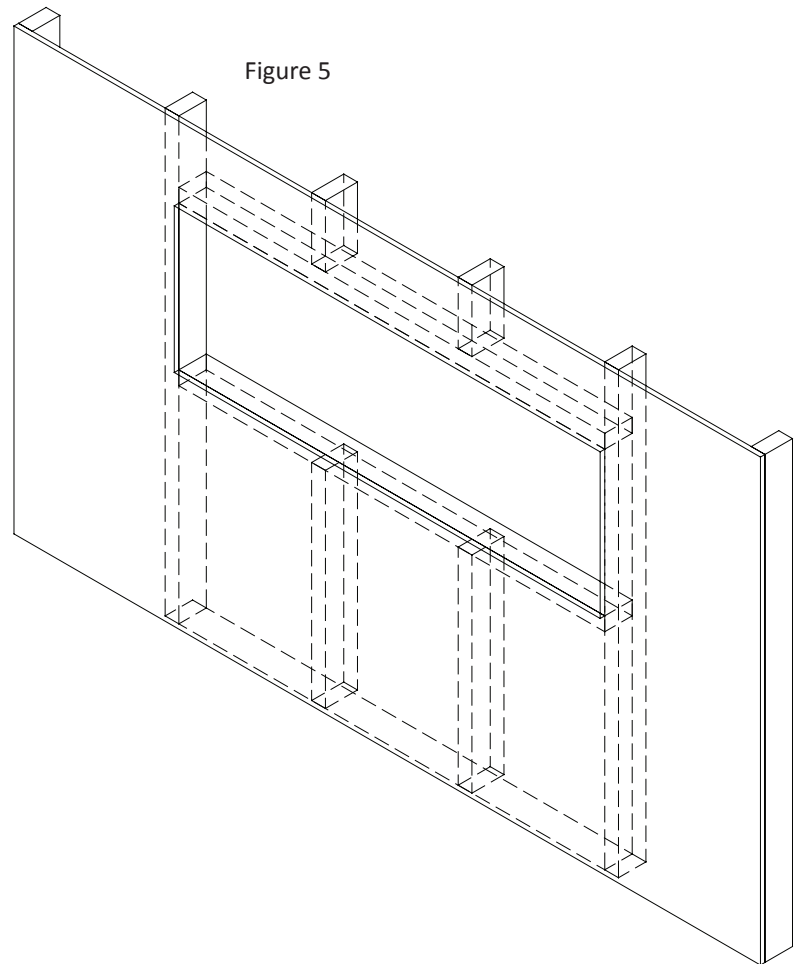
### WARNING:

Ensure that the Main ON/OFF Switch is set to the OFF Position (page 16) and that the circuit on which the fireplace is to be installed on has the power cut off at the service panel until installation is complete.



### WARNING:

Do not attempt to wire your own new outlets or circuits. To reduce the risk of injury, electric shock or fire, use a licensed electrician.



# FIREPLACE INSTALLATION - BUILT-IN



## NOTE: BEFORE YOU INSTALL

- **For Glass front Models:**  
Units must stick out of the wall a minimum of 2" or 5 cm.

- **For Stone and Steel front Models:**  
Units must stick out of the wall a minimum of 2-3/4" or 7 cm.

1. Lift fireplace and insert into opening. Adjust the unit to achieve the desired amount of depth. (Figure 6)

2. Make sure that the power supply port is not behind the wall.

3. Level the fireplace.

4. Drive mounting screws into the mounting brackets (nailing flanges) on the unit and the wall studs. (Figure 7)

Figure 6

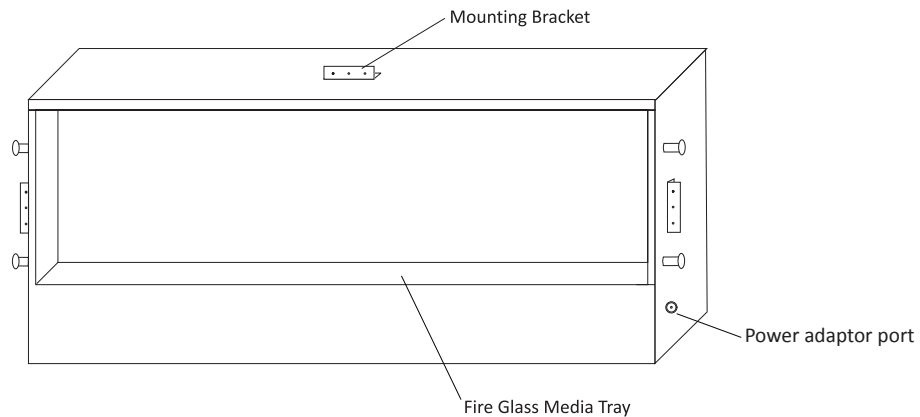
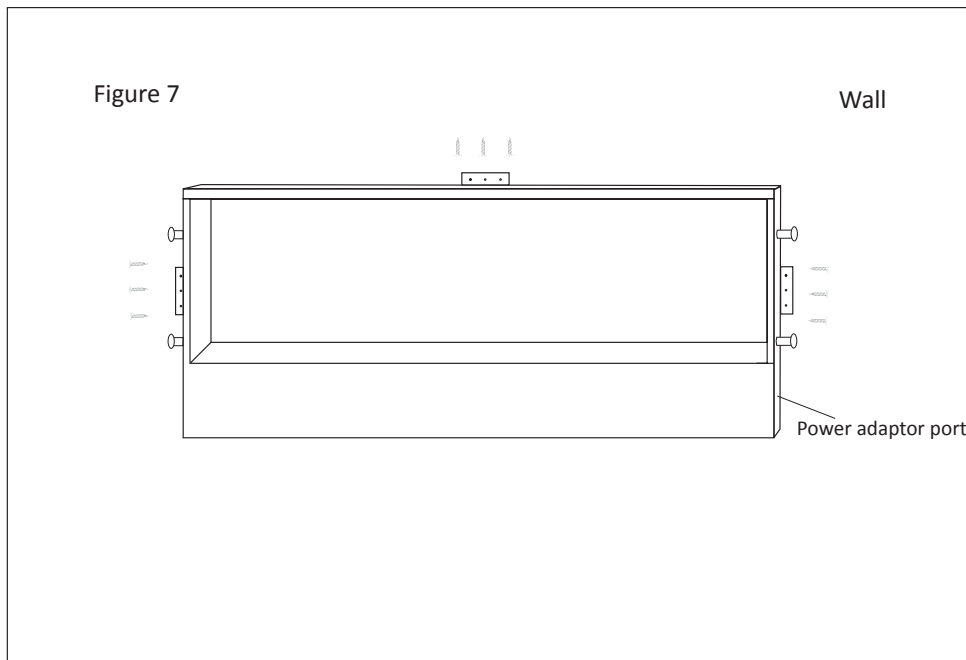


Figure 7



# FIREPLACE INSTALLATION - WALL MOUNT



## NOTE: BEFORE YOU INSTALL

It is strongly recommended that the screws be screwed into the wall studs where possible. If the wall studs cannot be used, ensure that plastic anchors are used.

1. Affix the provided mounting bracket to the wall. (Figure 8)

- Make sure it is level.

2. Lift fireplace unit and insert the stakes for hanging into the keyholes on the back of the unit. (Figure 9, Figure 10)

3. Check the appliance for stability ensuring that the appliance will not pull free from the wall.

Figure 8

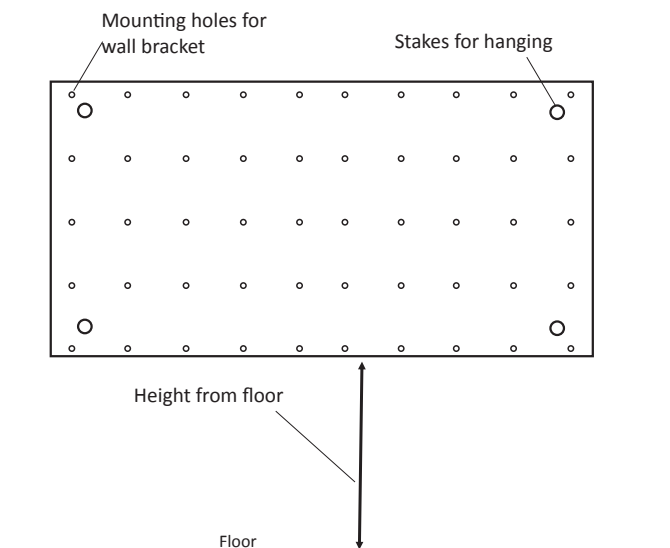
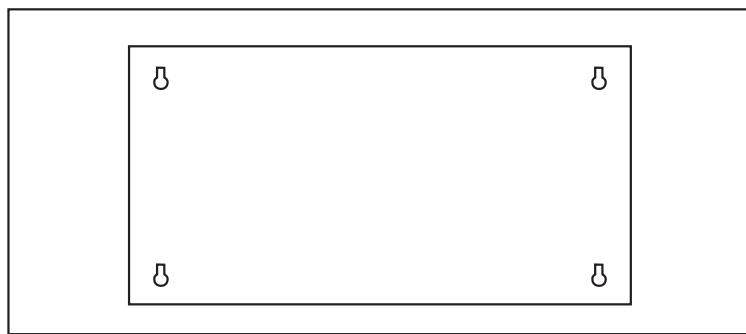
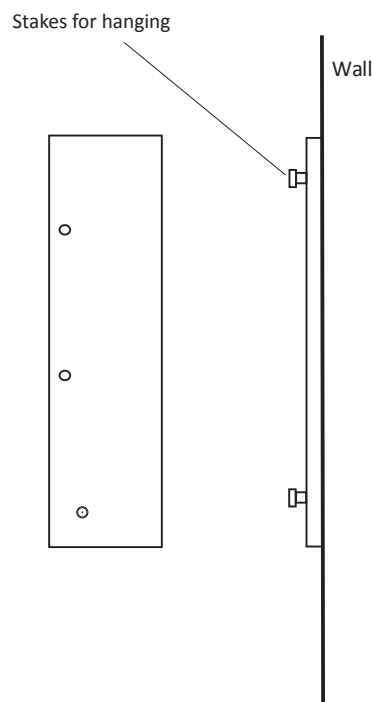


Figure 9



Back of unit

Figure 10



Side view

# FIRE GLASS MEDIA INSTALLATION



## NOTE: BEFORE YOU INSTALL

**CLEANING THE MEDIA:** The media may contain a fine white dust that needs to be cleaned prior to installation. Clean the media with soap, drain, rinse thoroughly and dry before placing into the tray.

1. Choose the colour of Fire Glass Media you would like to use. (Figure 11)

2. Place the Fire Glass Media into the Tray (Figure 12)  
*(Built-In installation shown, Fire Glass Media installation is the same for both Built-in and Wall Mount installation methods.)*

- It is not necessary to use all the media supplied.

Figure 11



Hz-01 Clear

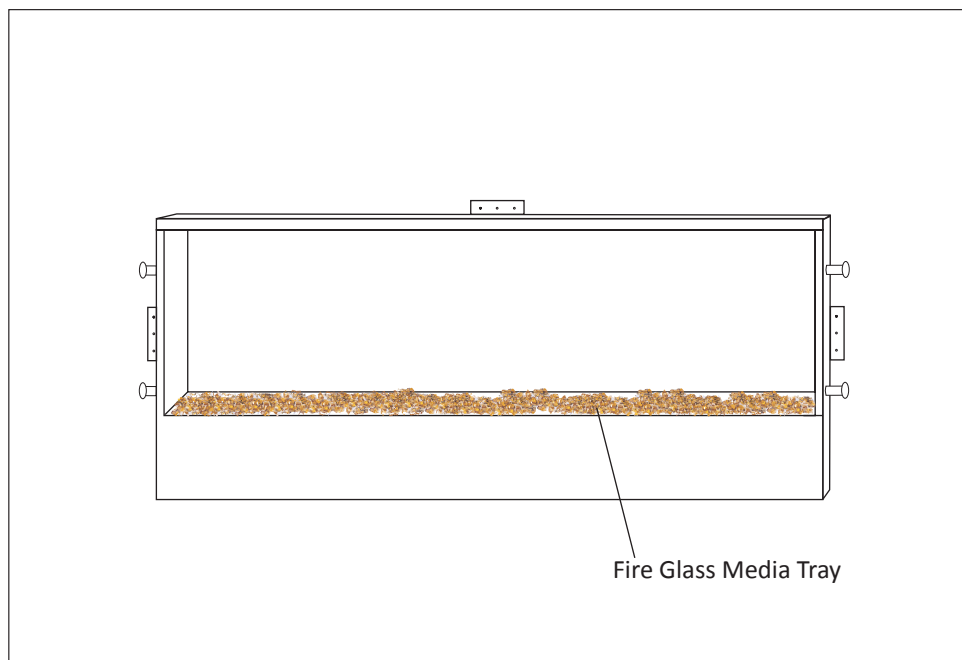


Hz-18 Amber



Hz-32 Aqua

Figure 12



# FRONT INSTALLATION



## NOTE: BEFORE YOU INSTALL

It is recommended that two people install the front onto the appliance, wear safety glasses and gloves when handling glass.

1. Lift fireplace front (Figure 13) and line up the brackets with the four (4) shoulder screws on the side of the appliance body (Figure 14, or Figure 15)

2. Attach the front to the unit.

Figure 13

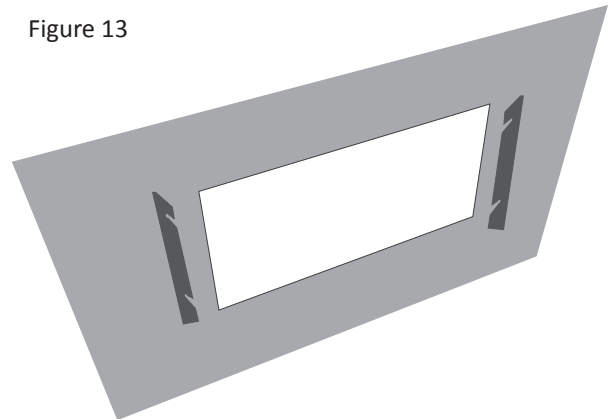


Figure 14

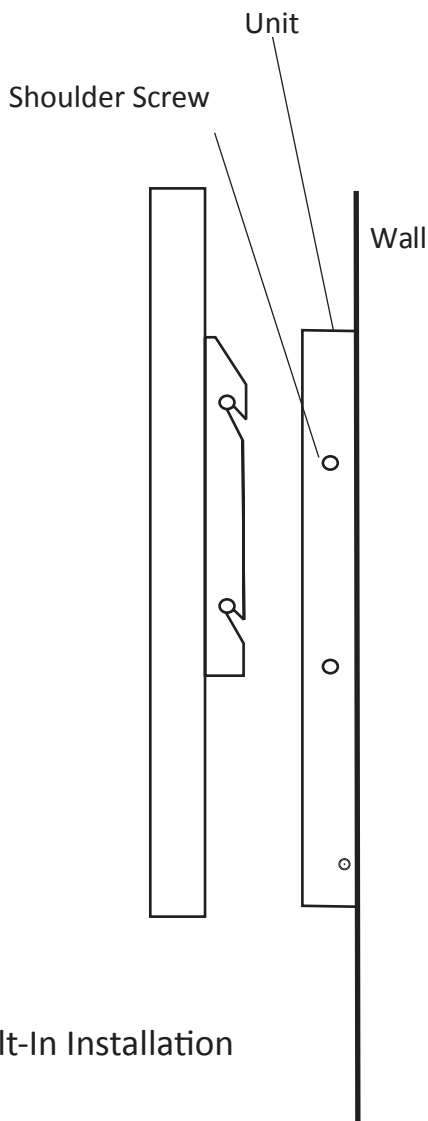
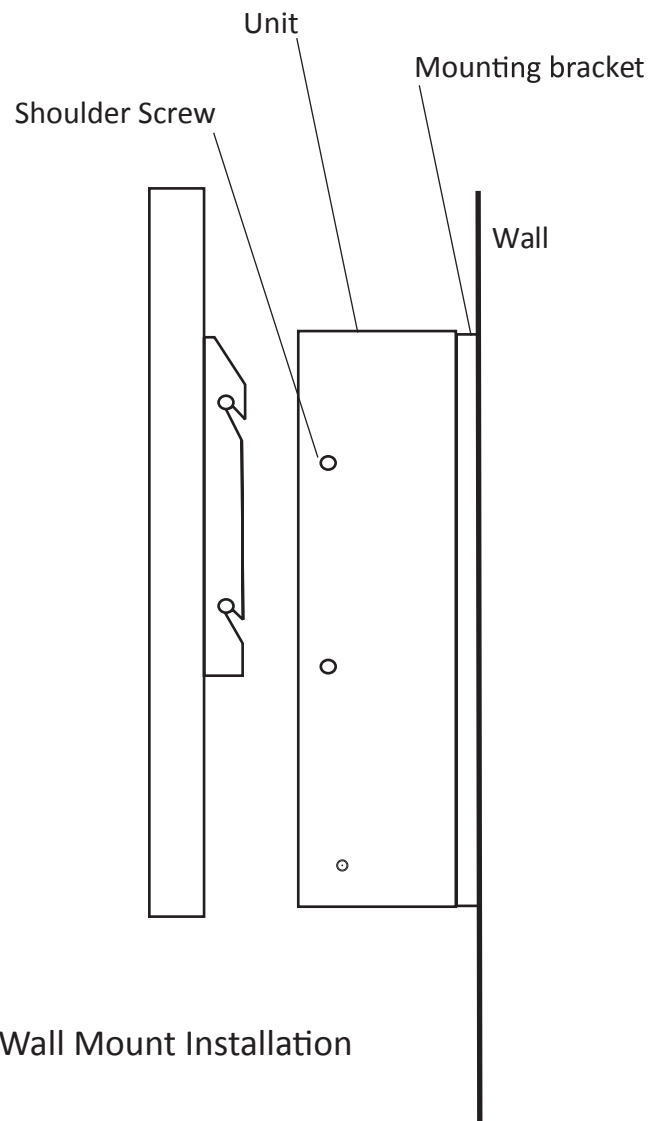


Figure 15







## GETTING POWER TO THE UNIT

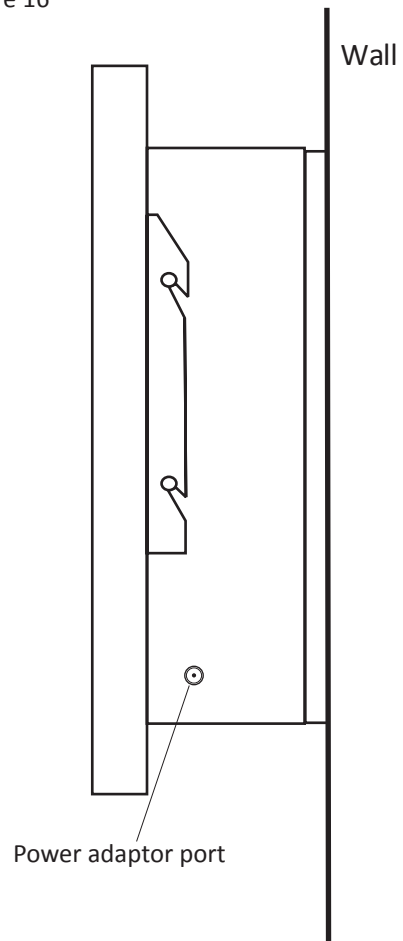
1. Make sure the appliance is switched OFF (refer to page 16 for instruction)
2. Attach the provided adaptor to the power port on the right hand side of the unit. (Figure 16)
3. Plug unit into electrical outlet.



### **WARNING:**

Do not attempt to wire your own new outlets or circuits. To reduce the risk of injury, electric shock or fire, use a licensed electrician.

Figure 16





## CONTROLLING THE FIREPLACE

### BUTTONS AND INDICATORS

There are three (3) buttons on the remote controller (Figure 14), and three (3) on the control panel of the fireplace, each pair of buttons with the same label perform the same function.


There are three buttons on the remote control: (Figure 17)


<ON/OFF> button controls the power to the appliance.


<DIMMER> button is used to adjust the brightness of simulated flames.

<FLAME> button is used to adjust the speed of the motor.

There are three indicators on the control panel:

 is the power indicator, it lights up when the fireplace is working and turns out when the fireplace is off.

 indicates the status of the simulated flame. It lights up when the flame simulator component is working and will be flashing when you adjust the flame.

 indicates the speed of the motor. It lights up when the flame simulator component is working and will be flashing when you adjust the speed of the motor.

The red window on the control panel of the fireplace is the eye of the receiver, do not cover.

**Do not leave unit on and unattended.**

Figure 17



# FIREPLACE MAINTENANCE



## **WARNING:**

Disconnect power before performing any maintenance or cleaning to reduce the risk of fire, electric shock or damage.

## **LED LIGHT BULB REPLACEMENT**

LED light bulbs are to be replaced by the manufacturer, it's service agent or similar qualified person in order to avoid hazard.



## **WARNING:**

Allow at least 5 minutes for LED bulbs to cool off before handling bulbs to avoid burns.

## **LED LIGHT BULB REQUIREMENTS**

Rating Voltage: 12 Volts

Rating Power: 5 Watts

BLT-IN-38: 3 Bulbs

BLT-IN-58: 5 Bulbs

BLT-IN-36: 3 Bulbs

BLT-IN-62: 5 Bulbs



## **CAUTION:**

Do not exceed 5 watts per bulb.

## **UNIT DISPOSAL**

Do not dispose with other household wastes. To prevent possible harm to the environment or human health from uncontrolled waste disposal, recycle it responsibly to promote the sustainable reuse of material resources. Contact your local landfill for appropriate disposal instruction.

# WARRANTY

Amantii Imports Corp. ("Amantii") warrants that your newly purchased Amantii electric fireplace is free from manufacturing and material defects for a period of one (1) year from the date of the first purchase, subject to the conditions and limitations contained below.

## Warranty Application & Exclusions

This limited warranty applies to your newly purchased Amantii electric fireplace; the limited warranty's application is limited to purchases made in any province of Canada or in any of the 52 States of the United States of America, including the District of Columbia. Only the original purchaser of the product is eligible for coverage under this limited warranty; the warranty is not transferable.

## Products excluded from this limited warranty

Light bulbs are not covered by this limited warranty and are the sole responsibility of the owner/purchaser.

## Warranty Coverage and Term

Products covered by this limited warranty have been tested and inspected prior to shipment and, subject to the provisions of this warranty, Amantii warrants such products to be free from defects in material and workmanship for a period of one (1) year from the date of the first purchase of such products.

The limited one (1) year warranty period for products also applies to any implied warranties that may exist under applicable law. Some jurisdictions do not allow limitations on how long an implied warranty lasts, so the above limitation may not apply to the purchaser.

All other warranties—expressed or implied—with respect to the product, its components and accessories or any obligation/liabilities on the part of Amantii are hereby expressly excluded.

## Limitations to Coverage Under Limited Warranty

This limited warranty does not apply to products that have been repaired, except by Amantii or its authorized service representatives, or otherwise altered. This limited warranty further does not apply to defects resulting from misuse, abuse, accident, neglect, incorrect installation, improper maintenance or handling, or operation with an incorrect power source.

Products made by other manufacturers, sold with the product or thereafter, are not covered by this limited warranty. The use of unauthorized components will render this warranty null and void.

## Service Under Limited Warranty

Defects must be brought to the attention of Amantii Technical Service by contacting Amantii at (1-888-406-8764), or at 1503 – 7088 18th Avenue, Burnaby, British Columbia, Canada, V3N 0A2. Please have your proof of purchase, catalogue/model and serial numbers available when calling; any and all service under the limited warranty requires a proof of purchase of the product.

## Defects

Should a product or part covered by this limited warranty be proven to be defective, in material or workmanship, and during the one (1) year limited warranty period, Amantii will replace such defective product or part without charge. If Amantii is unable to replace such product, or if replacement is not commercially practicable or cannot be timely done, in its sole discretion Amantii may, in lieu of replacement, choose to refund the purchase price for such product or part.

## Limitations

In no event will Amantii, including without limitation any of its directors, officers, shareholders, employees, consultants, agents, heirs, executors, administrators and assigns, be liable to the purchaser or any third party, whether in contract, in tort, or on any other basis for any indirect, special, punitive, exemplary, consequential, or incidental loss, cost or damage arising out of or in connection with the sale, maintenance, use or inability to use the product, even if Amantii, including without limitation any of its directors, officers, shareholders, employees, consultants, agents, heirs, executors, administrators and assigns, have been advised of the possibility of such losses, costs or damages, or if such losses, costs or damages are foreseeable. In no event will Amantii, including without limitation any of its directors, officers, shareholders, employees, consultants, agents, heirs, executors, administrators and assigns, be liable for any direct losses, costs or damages that exceed the purchase price of the product.

Some jurisdictions do not allow the exclusion or limitation of incidental or consequential damages, so the above limitation or exclusion may not apply to the purchaser.

## Application of Provincial and State Law

This limited warranty gives you specific legal rights, and you may also have other rights which vary from jurisdiction to jurisdiction. The provisions of the United Nations Convention on Contracts for the Sale of Goods shall not apply to this limited warranty or the sale of products covered by this limited warranty.

## General

Amantii reserves the right to make changes at any time without notice, in design, material, specifications, prices and the right to discontinue styles and products.



Date of Purchase:

Dealer Information: